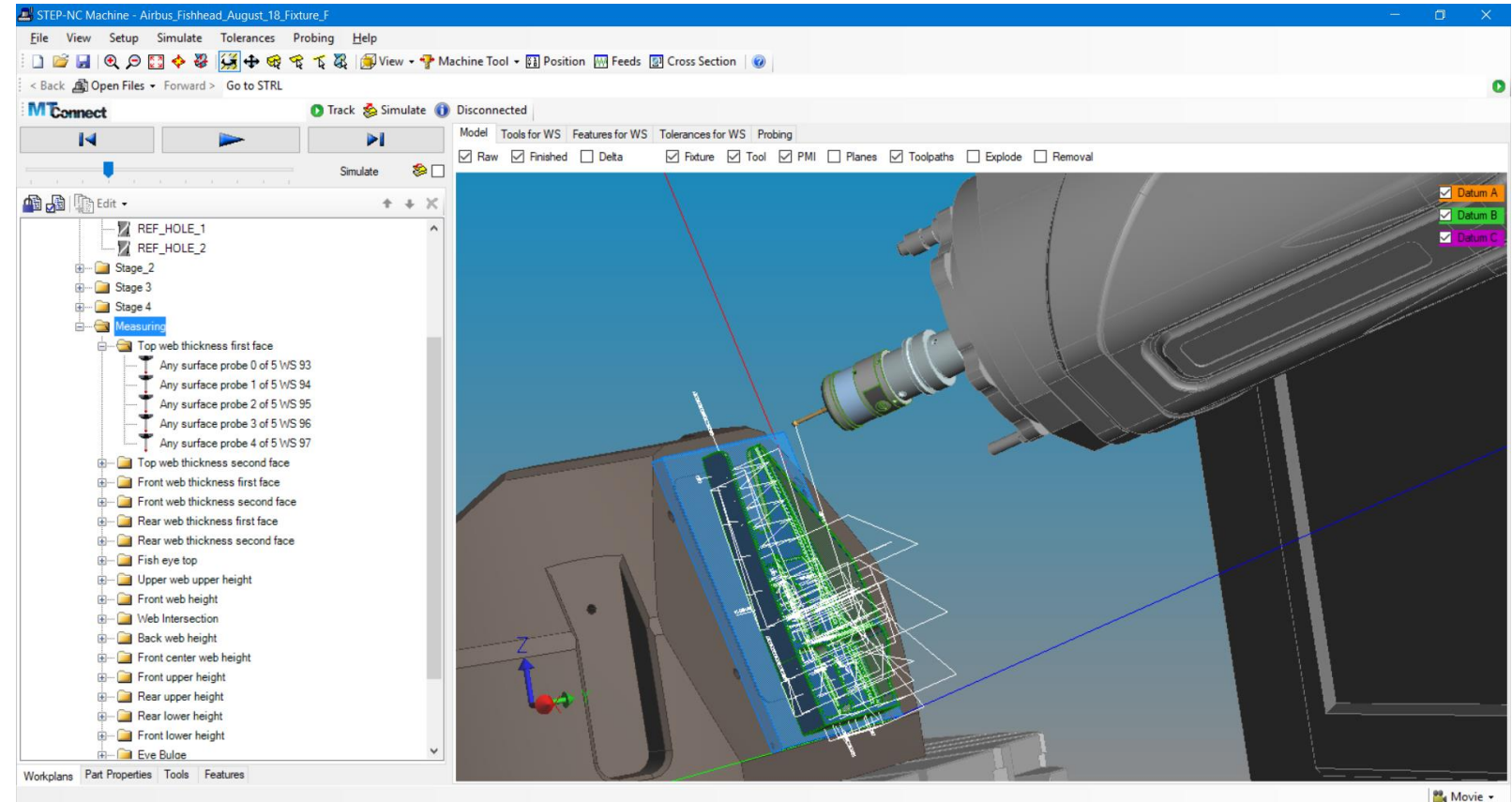
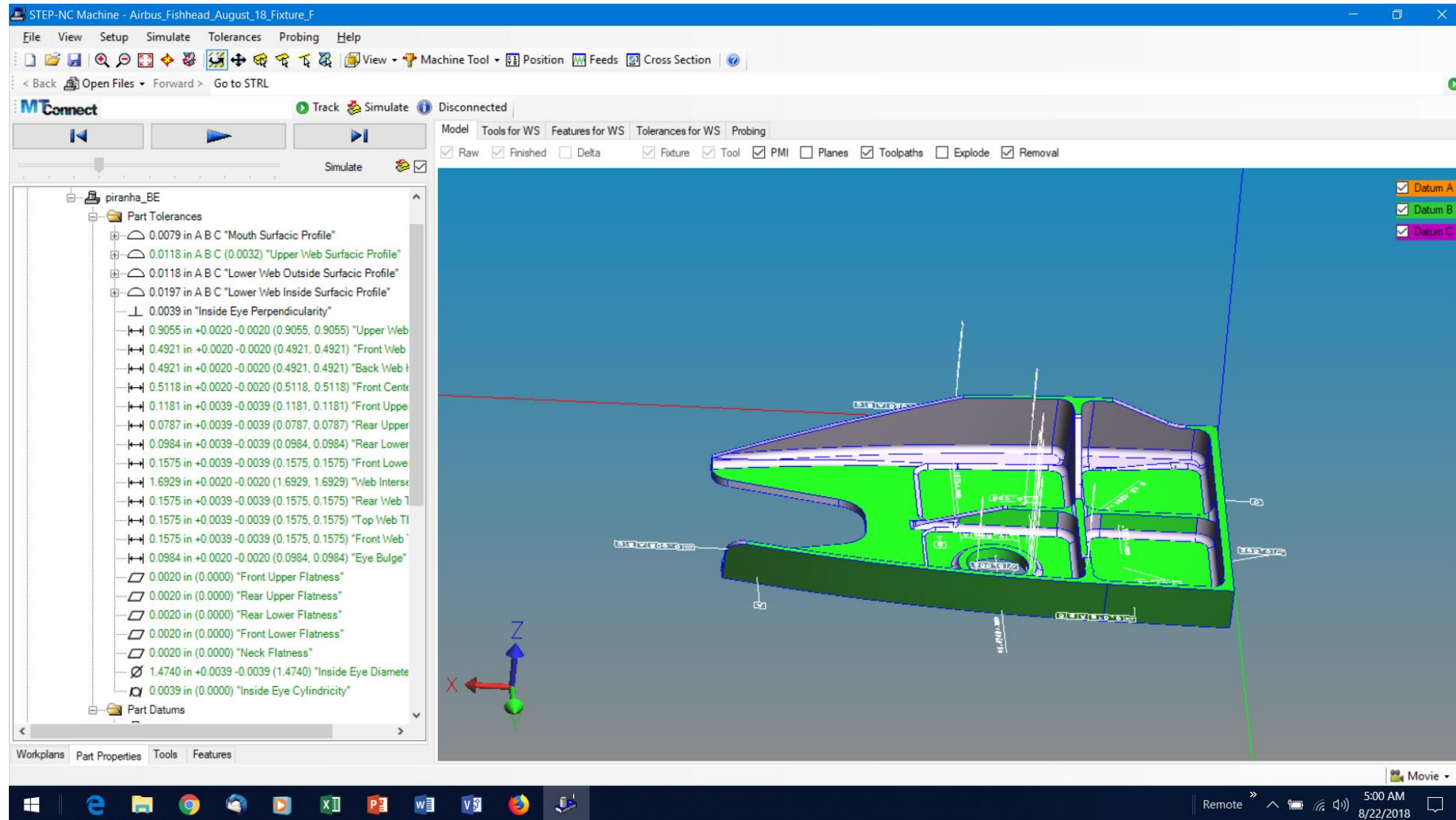


Probing results as of August 22

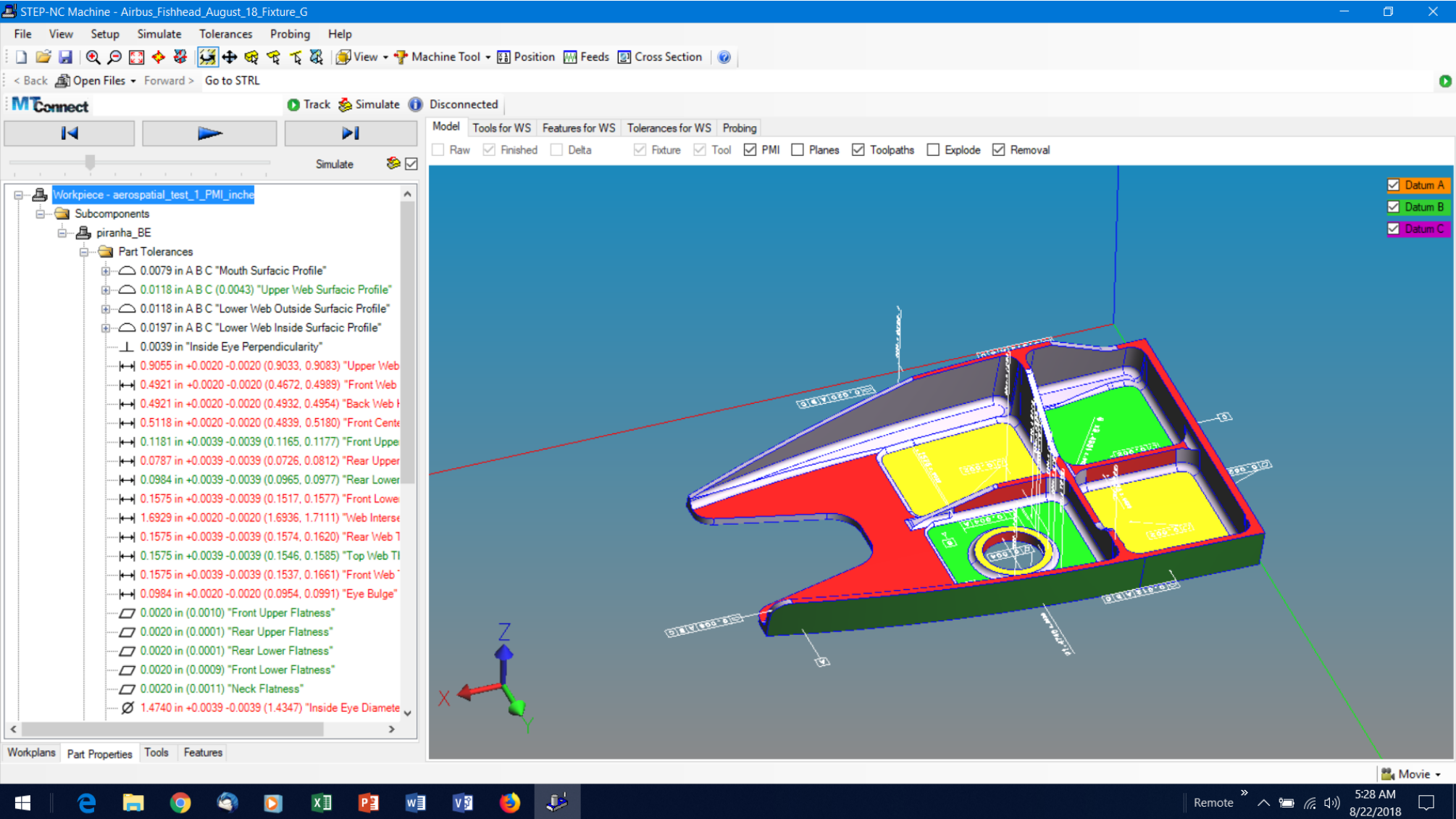
- Measurement made on CAD model
- Measurements made from simulator
- Measurements made at Pfronten



Measurements made on CAD model



Measurements made from simulator



Measurements made at Pfronten

